

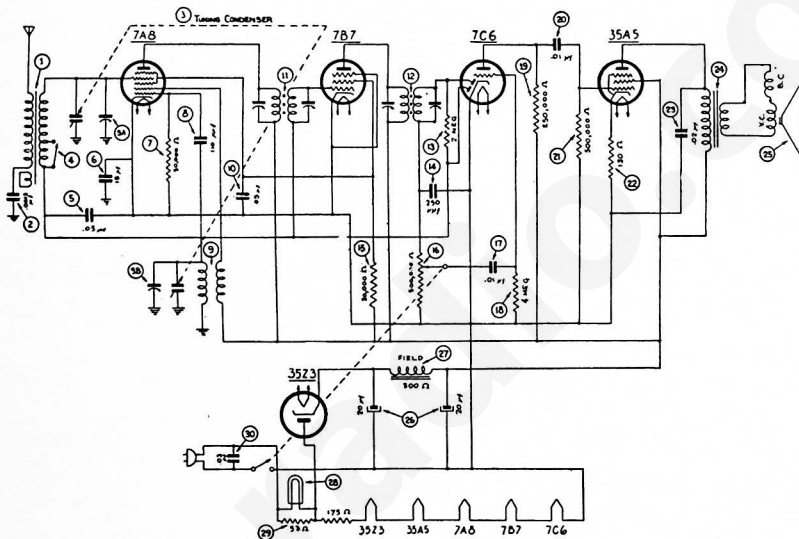
PHILCO MODEL TP-10

MODEL TP-10 is a 5 tube superheterodyne receiver having 2 tuning ranges covering from 540 to 1720 kilocycles (K.C.) on the broadcast band and 2.3 to 2.5 megacycles (M.C.) on the police band. This model is designed for operation on either alternating current (A.C.) or direct current (D.C.) 115 volts. The receiver is assembled in a streamlined, 2 toned plastic cabinet.

An indoor aerial 20 feet in length is attached to the receiver for average receiving conditions; however in apartment houses, hotels or steel re-inforced buildings, the Philco Utility Aerial Part No. 40-6384 is recommended.

The procedure for aligning the compensating condensers of this model will be found on page 3 under General Aligning Instructions.

NOTE: If no sound is heard after connecting the receiver to the power supply and sufficient time has been allowed for the tubes to heat, reverse the electric plug in the outlet. The same procedure should be observed on A.C. power supplies when a slight hum is heard with the volume turned low.



REPLACEMENT PARTS

TRANSITONE HOME RADIO MODEL TP-10

Schem. No.	Description	Philco Part No.	Schem. No.	Description	Philco Part No.
1	Antenna Transformer.....	32-3184			
2	Tubular Condenser (.0015 mf., 200V)	30-4556S	25	Cone Assembly	32-8044
3	Tuning Condenser.....	31-2354		For Speaker 36-1469-1.....	36-4115
4	Switch.....	42-1406		For Speaker 36-1469-9.....	36-4113
5	Tubular Condenser (.05 mf., 200V)	30-4519S	26	Electrolytic Condenser	
6	Tubular Condenser (.15 mf., 400V)	30-4505S		(20-20 mf., 150 V.).....	30-2362
7	Resistor (50,000 ohms, 1/3 watt).	33-350244	27	Field Coil....Part of Speaker No.	36-1469
8	Mica Condenser (110 mmf.).....	30-1031	28	Pilot Lamp.....	34-2088
9	Oscillator Transformer.....	32-3152	29	Line Resistor.....	33-3367
10	Tubular Condenser (.05 mf., 200V)	30-4519S	30	Tubular Condenser (.03 mf., 400V)	30-4449S
11	1st I.F. Transformer.....	32-3149		Cabinet.....	10367-A
12	2nd I.F. Transformer.....	32-3160		Cardboard Back.....	27-9320
13	Resistor (2 meg., 1/3 watt).....	33-520244		Disc Feet.....	27-9337
14	Mica Condenser (250 mmf.).....	30-1032		Drive Cord Assembly.....	31-2358
15	Resistor (20,000 ohms, 1/3 watt).	33-320244		Drive Drum.....	56-8033
16	Volume Control (500,000 ohms)....	33-6308		Driving Arm (Pointer Drive).....	56-1376
17	Tubular Condenser (.01 mf., 200V).	30-4479S		Drive Shaft Assy.....	31-2355
18	Resistor (4 meg., 1/3 watt).....	33-540244		Grille Silk & Gasket.....	40-6452
19	Resistor (250,000 ohms, 1/3 watt)	33-425244		Knob Assembly.....	27-4815
20	Tubular Condenser (.01 mf., 400V)	30-4572S		Pilot Lamp Socket Assembly.....	38-9828
21	Resistor (500,000 ohms, 1/3 watt)	33-450244		Power Cord.....	L-3199
22	Resistor (130 ohms, 1/2 watt)....	33-113336		Rubber Tubing (Driving Arm).....	27-9334
23	Tubular Condenser (.02 mf., 400V)	30-4516S		Sockets.....	27-6130
24	Output Transformer			Speaker Assembly.....	36-1469
	For Speaker 36-1469-1.....	32-8047		Spring.....	28-8751